

Subject: CE Surge Protector Part Additions
Date: 01/19/21
Region: CE Countries Only
Models Affected: HHC 98X and 99X CE Heated Holding Cabinets

Summary

Surge protector, part number 180005, has been added for HHC 98X and HHC 99X CE units. It is wired to the EMC filter board with lever nuts.

- Units built before serial number DC2101025 will not need the surge protector and will not need to be retrofitted.
- Units built after serial number DC2101025 break will have the surge protector installed.

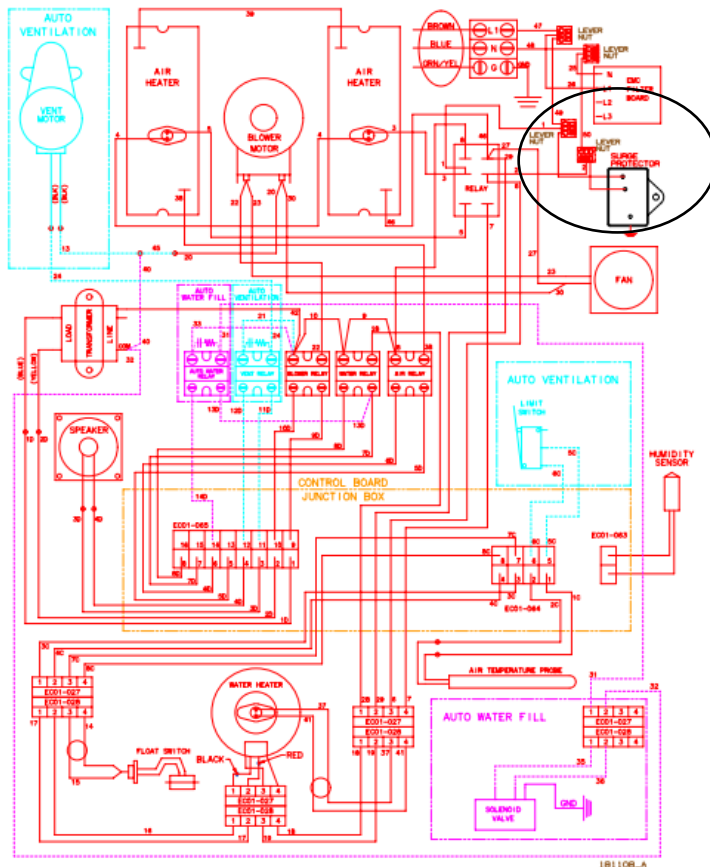
Part Numbers

Order the following part numbers as needed.

Model #	Part #	Description	Stocking Level	Qty.
HHC 98X / 99X	180005	Surge protector (CE) after DC2101025	B	1
HHC 98X / 99X	79525	Lever nut, 3 conductor (CE) after DC2101025		A/R

Wiring Diagram

The CE construction wiring diagram has been changed from 27487 to 181108 to show the surge protector connections.





Warranty

Parts includes a 90-day parts warranty from the date of install.

Questions

For further information, please contact Technical Services using one of the following options:

Email: technicalservices@hennypenny.com

Call:

U.S. and Canada: +1-800-417-8405

Global: +1-937-456-8405

Text: +1-937-456-8405

[Live chat](#) via the Henny Penny website, extranet, or customer support website.